

Example Excel



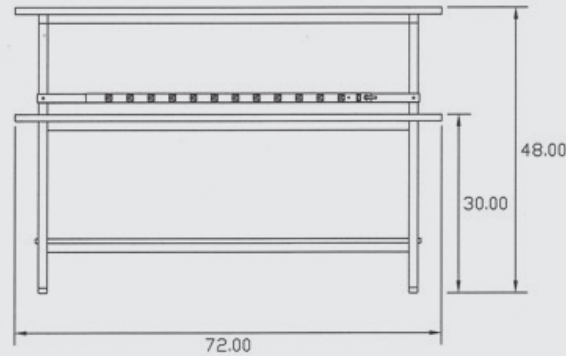
The Excel is a high durability, fixed-shelf workbench at an economical price. It can be built in single-sided or double-sided (two desks with one frame) configurations for high density, rapid throughput laboratory applications.

### Standard Options

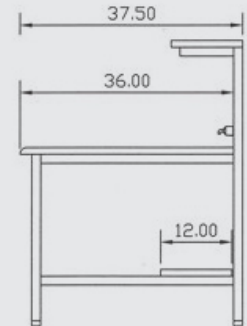
WORK SURFACE TYPE	<ul style="list-style-type: none"> <li>· Plastic Laminate (P-LAM),</li> <li>· ESD Laminate</li> <li>· Chemical-Resistant Laminate</li> <li>· Phenolic Resin</li> <li>· Maple</li> <li>· Steel</li> <li>· Other custom options available</li> </ul>
WORK SURFACE COLOR OPTIONS (Dependent on Surface Type)	<ul style="list-style-type: none"> <li>· Gray</li> <li>· Black</li> <li>· White</li> <li>· Custom (appropriate upgrade applies)</li> </ul>
FRAME MATERIAL	<ul style="list-style-type: none"> <li>· 1.5 inch x 1.5 inch tubular steel – 16 gauge</li> <li>· 2 x 2 inch upgrade available – 16 or 11 gauge</li> </ul>
FRAME CONSTRUCTION	<ul style="list-style-type: none"> <li>· Welded</li> <li>· Bolted</li> <li>· Stretch Frame Available</li> </ul>
FRAME COLOR OPTIONS	<ul style="list-style-type: none"> <li>· Safety Blue</li> <li>· Black</li> <li>· White</li> <li>· Gray</li> <li>· Clear Coat</li> <li>· Polished Steel</li> <li>· Custom (appropriate upgrade applies)</li> </ul>
FEET	<ul style="list-style-type: none"> <li>· Levelers (250 lb. load limit per leveler)</li> <li>· Various Casters (available with upgrade)</li> </ul>

**Excel 72L x 36D x 30H**  
Fixed shelf 18" above surface

Front View



Side View



## Common Accessories

ASK A DESIGN CONSULTANT FOR DETAILS, INCLUDING ALTERNATE DIMENSIONS

12 inch Fixed Upper Shelf	Adjustable Leg Kit
48 inch Under Shelf Light	Hydraulic Lifts
48 Inch Power Strip	Overhead Cabinet
LCD Monitor Arm Support	Desk Magnifier
ESD Package	Roller Bar
Utility/File Drawer Combo	Lab Sink
Keyboard Pullout	Gas Valves
Tool Drawers	Wire Management
Open Storage Cabinet- Small	Peg Board
Total Lock Casters	Standing, Tabletop, and ESD Mats
Chairs, Stools, and ESD Seating	

## Technical Specifications

Length (Surface edge to edge)	48", 60", 72", 84", 96" Custom options from 24" – 144"
Depth (Due to support struts, bench is 1.5" deeper than worksurface)	28", 36" Custom options from 24" – 48"
Height (Top of worksurface to ground)	30", 32", 34", 36", 42" Custom options from 24" – 50"+ 30" – 36" seated position 42" standing position
Tough Powder-Coated Finish on Framework	Provides corrosion protection, electrical insulation, and visual appeal
Supports 1,000 to 5,000 lbs.	Dependent upon bench size and feet