

Corner bench



Standard with 2 adjustable shelves, casters



Toolbench with metal overhead and under surface storage



The Benchmark is our most popular workbench for its high durability, task-specificity, and variety of modular, custom options. Benchmark tables are popular in electronics and chemical laboratory applications as well as repetitive task functions.

## Standard Options

### WORK SURFACE TYPE

- Plastic Laminate (P-LAM)
- ESD Laminate
- Chemical-Resistant Laminate
- Phenolic Resin
- Maple
- Steel
- Other Custom Options Available

### WORK SURFACE COLOR OPTIONS (Dependent on Surface Type)

- Gray
- Black
- White
- Custom (appropriate upgrade applies)

### FRAME MATERIAL

- 1.5 inch x 1.5 inch tubular steel – 16 gauge
- 2 x 2 inch upgrade available – 16 or 11 gauge

### FRAME CONSTRUCTION

- Welded
- Bolted
- Stretch Frame

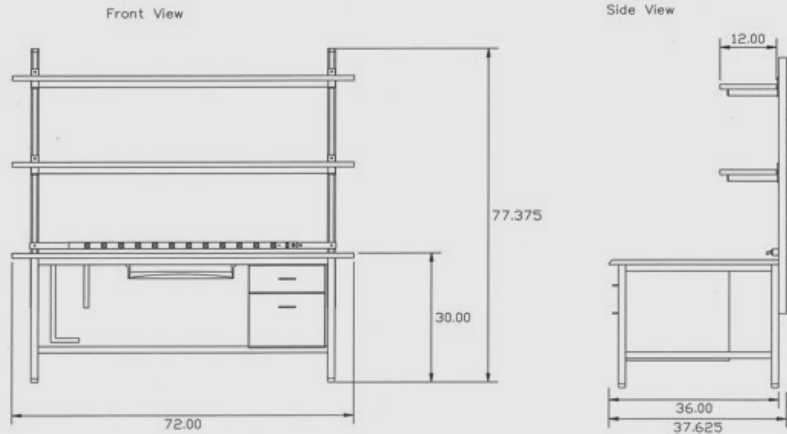
### FRAME COLOR OPTIONS

- Safety Blue
- Black
- White
- Gray
- Clear Coat
- Polished Steel
- Custom (appropriate upgrade applies)

### FEET

- Levelers (250 lb. load limit per leveler)
- Various Casters (available with upgrade)

Benchmark 72L x 36D x 30H



## Common Accessories

ASK A DESIGN CONSULTANT FOR DETAILS, INCLUDING ALTERNATE DIMENSIONS

48 inch Overhead Light	Adjustable Leg Kit
12 inch Upper Shelf	Hydraulic Lifts
48 inch Under Shelf Light	Overhead Cabinet
48 inch Power Strip	Desk Magnifier
LCD Monitor Arm Support	Roller Bar
ESD Package	Lab Sink
Utility/File Drawer Combo	Gas Valves
Keyboard Pullout	Wire Management
Tool Drawers	Peg Board
Open Storage Cabinet- Small	Total Lock Casters
Chairs, Stools, and ESD Seating	Standing, Tabletop, and ESD Mats

## Technical Specifications

Length (Surface edge to edge)	48", 60", 72", 84", 96" Custom options from 24" – 144"
Depth (Due to support struts, bench is 1.625" deeper than worksurface)	28", 36" Custom options from 24" – 48"
Height (Top of worksurface to ground)	30", 32", 34", 36", 42" Custom options from 24" – 50"+ 30" – 36" seated position 42" standing position
Tough Powder-Coated Finish on Framework	Provides corrosion protection, electrical insulation, and visual appeal
Supports 1,000 to 5,000 lbs.	Dependent upon bench size and feet